

Long Raman Probe

ATR20108

Features

- Raman probe length up to 5 meters
Auto-Switch on four channels
- Slim length for easy to operate
- Raman probe of 785, 1064, 532, 830, 473 nm
- OD > 8
- Highly resistant to corrosion of acidic and alkaline, optional stainless steel 316L, Hastelloy alloy
- Resist to high temperature up to 300°C (ATR20108HT)

Application

- Raman spectrometer
- In process reaction monitor
- Liquid materials dip on the bottom container

Description

ATR20108 is the latest long Raman probe designed by Optosky. It has a long arm of up to 5 meters, which can easily measure samples at the bottom of the reactor with a depth of 5 meters, which cannot be achieved in traditional Raman spectroscopy. This long arm Raman probe built-in high efficient optical path can resist Rayleigh scattering with OD>8.

It adopts the special optical path design of the patent technology of Optosky, which avoids the shortcomings of low optical efficiency of the traditional long rod probe and high requirements for the application occasions. ATR20108 is configured to ATR7010 in-situ Raman spectrometer, especially fit to any in process monitor.

Model	Description
ATR20108	Standard configuration
ATR20108HT	Resist up to temperature of 300°C (High-Temperature)
ATR20108AC	Resist to corrosion (Anti-Corrosion)



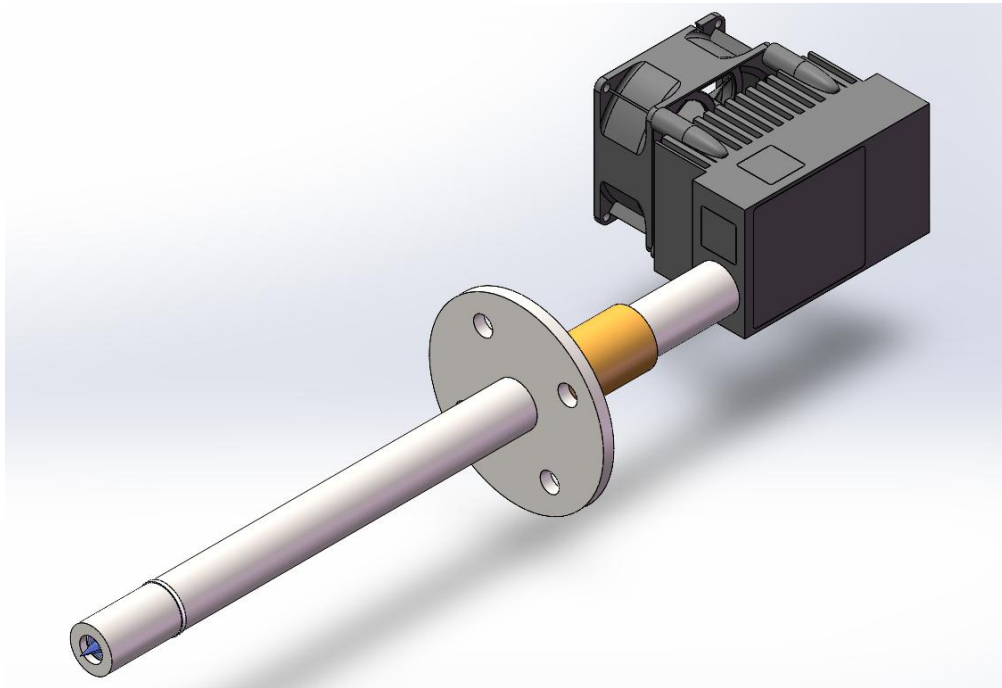


Fig 1 ATR20108HT

1. Performance

Items	Description	Remarks
Working Distance	3.5 ± 0.5 mm	
Probe Length	25cm	Customized length
Probe arm diameter	12.5mm	
Max Length	5m	Max Length up to 5m
Rayleigh scattering	OD>8	
Raman signal fiber	200/220µm Multi-mode optical SMA905 port	Fiber coupling
Laser fiber	105/ 125µm Multi-mode fibers	Fiber coupling
	FC/PC port	
Fiber Length	1.5m	Customized, Maximum up to 100m

2. ATR20108



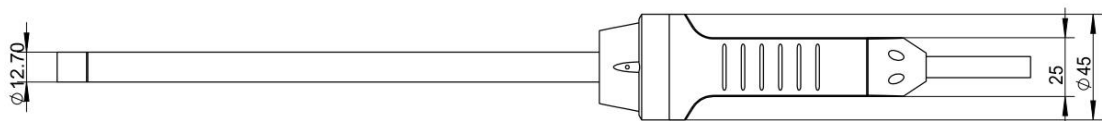


2022.09.26 18:18



2022.09.26 18:18

3. ATR20108 Dimensions



Product data information is current as of publication data. Products conform to specifications per the terms of Optosky Standard warranty.

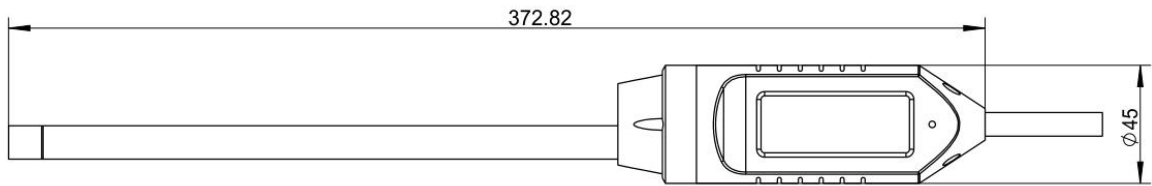


Fig 2 ATR20108

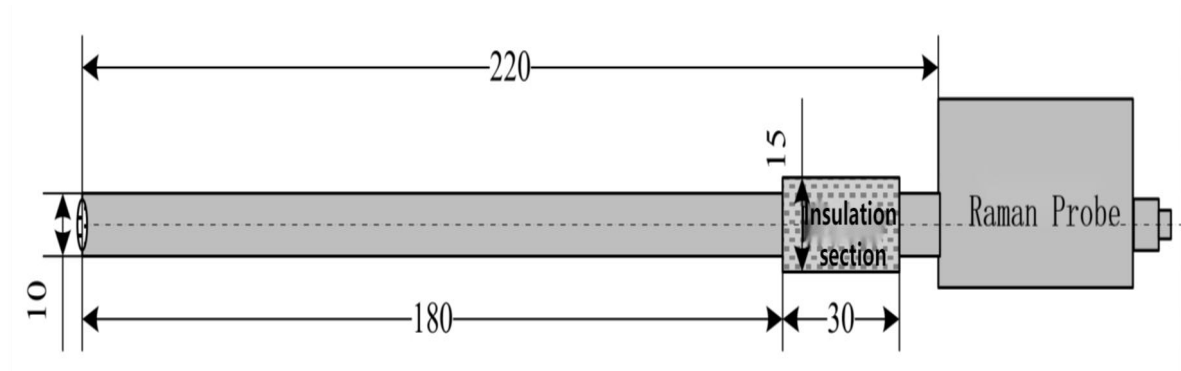


Fig 3 ATR20108HT

4. ATR20108 Order Guide

Models	Raman Wavelength
ATR20108-785	For 785nm Raman Spectrometer
ATR20108-1064	For 1064nm Raman Spectrometer
ATR20108-532	For 532nm Raman Spectrometer
ATR20108-830	For 830nm Raman Spectrometer
ATR20108-638	For 638nm Raman Spectrometer